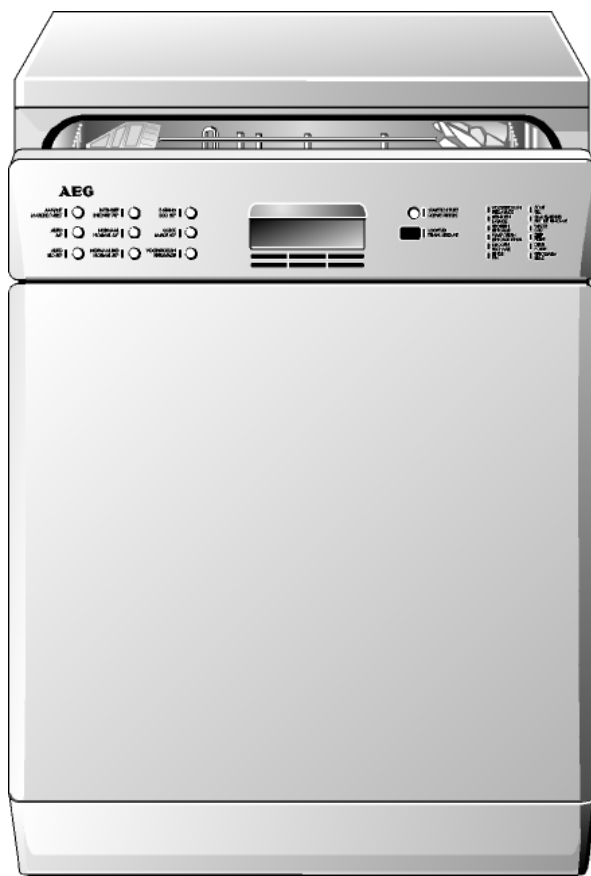


ÖKO_FAVORIT 80800

Dishwasher

User Instructions



Dear customer,

Please read these user instructions carefully.

Above all please observe the safety instructions on the first few pages of these user instructions! Please keep these user instructions for later reference. Pass them on to any subsequent owner of the appliance.



The warning triangle and/or specific words (**Warning!**, **Caution!**, **Important!**) are used to highlight instructions that are important for your safety or for the function of the appliance. It is imperative that these instructions are observed.



This symbol or numbered instruction steps lead you step for step through the operation of the appliance.



Next to this symbol you receive additional information and practical tips on using the appliance.



Tips and instructions for the economical and environmentally conscious use of the appliance are marked with a clover leaf.

In the event of a malfunction, these operating instructions contain information on how to rectify faults yourself, see the "What to do, if..." section.

If these instructions are insufficient, please contact your nearest customer service centre.

In the case of technical problems, our customer service organisation is available to provide you with assistance at any time (you will find addresses and telephone numbers in the "Customer Service Centres" section).

In this respect please read the "Service" note on the rear of these user instructions.



Your dishwasher is fitted with the new "PULSE WASH" wash system. With this wash system, the motor speed and spray pressure are varied during the wash programme to improve the cleaning of the dishes. It is for this reason that the noise level changes during the wash programme.

Printed on paper manufactured with environmentally sound processes. He who thinks ecologically acts accordingly ...

CONTENTS

Operating Instructions	5
Safety Instructions	5
Disposal	7
Economical and Ecological Dishwashing	8
Appliance Features and Control Panel	9
Control Panel	10
Prior to using for the first time	11
Adjusting the Water Softener	11
Filling with Special Salt for the Water Softener	12
Filling with Rinse Aid	14
Adjusting Rinse Aid Dosing	15
Setting the Signal Tone for the End of the Wash Programme	15
In Daily Use	16
Loading cutlery and dishes	16
Loading Cutlery	17
Loading Pans, Frying Pans and Large Plates	19
Loading Cups, Glasses and Coffee Services	20
Adjusting the Height of the Upper Basket	21
Filling with Detergent	22
Bio Wash Programmes and Concentrated Detergents	23
Automatic Wash Programmes	23
Selecting the Wash Programme (Programme Table)	24
Starting the Wash Programme	26
Changing/Interrupting/Canceling the Wash Programme	26
Pause Function	27
Setting or Changing the Start Delay Timer	28
Load Sensing – Sensor Logic	28
Switching Off the Dishwasher	29
Emptying the Dishwasher	29
Care and Cleaning	29
Cleaning the Filter	30
What to do, when	31
... Error messages are displayed.	31
...there are problems with the operation of the dishwasher.	33
...the wash result is not satisfactory.	33

Technical Data	35
Notes for Test Institutes	36
Installation and Connection Instructions	37
Installing the Dishwasher	37
Free-Standing Appliances	37
Connecting the Dishwasher	39
Water Connection	39
Permitted water pressure	39
Connect the inlet hose	39
Water drain	40
Leak Prevention System	41
Electrical connection	41
Connections	42
Adressen klantendienst	43
Garantiebepalingen	44
Service	47

OPERATING INSTRUCTIONS



Safety Instructions

The safety aspects of AEG electrical appliances comply with accepted technical standards and the German Appliance Safety Law. Nevertheless, as a manufacturer we consider it our obligation to make you aware of the following safety information:

Installation, Connection and Placing into Operation

- The dishwasher may only be transported upright.
- Check the dishwasher for transport damage. Do not in any circumstances connect an appliance that is damaged. In the case of damage, please contact your supplier.
- Prior to placing the appliance in operation, ensure that the nominal voltage and type of supply on the rating plate match that of the supply where the appliance is to be installed. The fuse rating is also to be found on the rating plate.
- For information on how to correctly install and connect up your dishwasher, please read the "Installation" section. Multiway plugs / connectors and extension cables must not be used. This could constitute a safety hazard.

Child Safety

- Children often do not recognise the hazards associated with the use of electrical appliances. It is therefore important that you ensure children are adequately supervised and that you do not allow children to play with the dishwasher – there is a risk that children can shut themselves inside the appliance (risk of suffocation!).
- Packaging materials (e.g. films, styrofoam) can be dangerous for children. Risk of suffocation! Keep packaging away from children.
- Detergents can cause burns to the eyes, mouth, and throat, or even cause choking! Please observe the manufacturer's safety instructions for cleaners and detergents.
- The water in your dishwasher is not suitable for drinking. If there are still remnants of detergent in the appliance, there is a risk of burns!
- When disposing of the dishwasher: unplug from the mains, cut off and dispose of the mains cable. Break the door lock so that the door no longer shuts.

General Safety

- Repairs to the dishwasher are only to be carried out by qualified service engineers. Improper repairs can give rise to significant hazards for the user. If your appliance needs repairing, please contact customer service or your dealer.
- Never place the dishwasher in operation if the mains cable, water inlet or drain hose is damaged; or the control panel, work top or plinth area is damaged such that the inside of the appliance is freely accessible.
- If the mains lead is damaged, or is to be replaced for a longer lead, the cable (obtainable from AEG customer service) must be changed by a service engineer authorised by AEG.
- Never unplug the appliance by pulling on the cable, always pull the plug.
- Additions or modifications to the dishwasher are not permitted for safety reasons.
- Ensure that the door of the dishwasher is always closed when it is not being loaded or unloaded. In this way you will avoid anybody tripping over the open door and hurting themselves.
- Sharp knives and items of cutlery with sharp edges must be placed in the cutlery tray or in the upper rack.

Correct Use

- Only wash household dishes using the dishwasher. If the appliance is used for other purposes, or is used incorrectly, the manufacturer cannot accept any liability for any damage caused.
- Prior to use, ensure that the manufacturers of the special salt, detergent, and rinse aid employed specifically permit the usage of their products in household dishwashers.
- Do not put any solvents in the dishwasher. There is a risk of an explosion!
- The anti-flood system provides dependable protection against damage due to leaks. For this system to function correctly, the following preconditions must be met:
 - The appliance must remain connected to the mains even when it is switched off.
 - The dishwasher must be correctly installed.
 - Always shut off the water supply at the tap when the dishwasher is not to be used for longer periods, e.g. when you are away on holiday.

- Do not sit or stand on the open door, the appliance may tip over.
- In the event of a fault, first close the tap, then switch off the appliance and unplug it from the mains. If the appliance is permanently wired to the mains: switch off the fuse(s) or unscrew them.



Disposal

Disposing of the Packaging Material

Dispose of the dishwasher packaging material correctly. All the packaging materials used are harmless to the environment and can be recycled.

- Plastic parts are marked with standard international abbreviations:
 - >PE< for polyethylene, e.g. sheet wrapping material
 - >PS< for polystyrene, e.g. padding material (always CFC-free)
 - >POM< for polyoxymethylene, e.g. plastic clips
- Cardboard packaging is manufactured from recycled paper and should be deposited in the waste paper collection for recycling.

Disposal of old appliances

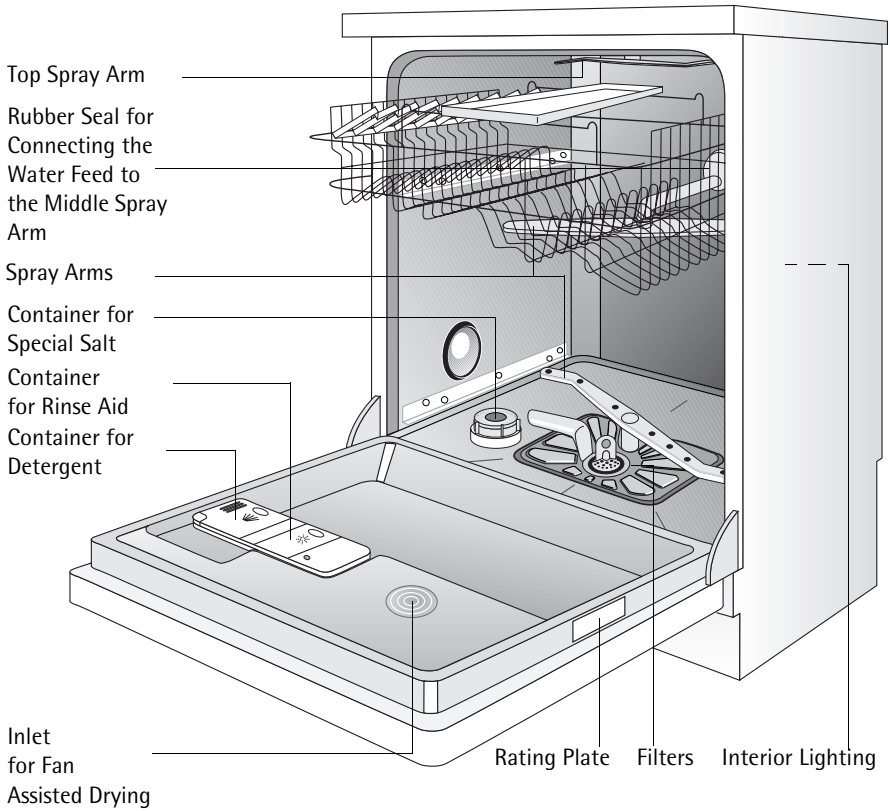
As and when you cease to use your dishwasher, please take it to a recycling centre or to your dealer who will, for a small contribution to the costs, dispose of it for you.



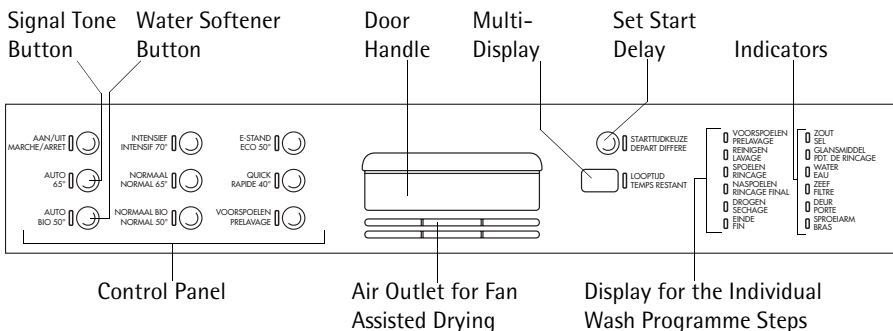
Economical and Ecological Dishwashing

- Only connect the dishwasher to the hot water supply if your hot water is not electrically heated.
- Ensure that the water softener is correctly adjusted.
- Do not pre-rinse dishes under running water.
- If you wash a small load, the load sensor calculates the amount of water necessary and shortens the programme. It is more economical to always wash with a full load.
- Select the wash programme to suit the nature and degree of the soiling on the dishes.
- Do not use more detergent, special salt or rinse aid than is recommended in these operating instructions and by the manufacturer of the respective product.
- The dishwasher's interior light is always switched on as long as the door of the appliance is open. To save energy you should therefore always close the door of the dishwasher after loading or removing dishes.

Appliance Features and Control Panel



Control Panel



The **Control Panel** comprises the ON/OFF switch (AAN/UIT; MARCHE/ARRET) and the programme buttons with LED indicators.

Signal Tone Button: In addition to the wash programme printed on the front panel, this button can be used to set whether a signal tone is to indicate that a wash programme is finished.

Water Softener Button: In addition to the wash programme printed on the front panel, this button can be used to adjust the dishwasher's water softener.

The **Multi-Display** can display,

- the hardness setting to which the water softener is set.
- whether the signal tone is switched on or off.
- the start delay that is set.
- how long the current wash programme can be expected to last.
- which fault has occurred on the dishwasher.

The **indicators** have the following significance:

SALT (ZOUT; SEL)	Refill with special salt
RINSE AID (GLANSMIDDEL; PDT. DE RINÇAGE)	Refill with rinse aid
WATER (WATER; EAU)	Open tap
FILTER (ZEFF; FILTRE)	Clean the dishwasher's filter system
DOOR (DEUR; PORTE)	The dishwasher door is open
SPRAY ARM (SPROEIARM; BRAS)	The middle spray arm is jammed




The **FILTER** indicator (ZEFF; FILTRE) is intended to remind you to check the filters in the dishwasher from time to time and, if necessary, to clean it. The indicator illuminates at regular intervals, independent of the amount of soiling of the filters.

Prior to using for the first time

Prior to using for the first time, remove all the clips with which the dish racks are secured for transport.

Then perform the following steps:

-  1. Adjust the water softener
2. Filling with Special Salt for the Water Softener
3. Filling with Rinse Aid

Adjusting the Water Softener

To prevent the build up of scale on dishes and in the dishwasher, the dishes must be washed with soft, i.e. low lime content water. For this reason the dishwasher is fitted with a water softener in which tap water from a hardness of 4 °d (German degree) is softened with the aid of special salt.



Your water supplier will be able to inform you on the hardness and hardness range of the water in your area.



Adjust the water softener to the setting given in the table that corresponds to the hardness of the water in the area where you live. The water softener can be adjusted in 10 steps.

Water Hardness			Adjust to Hardness Setting	Indication on the Multi-Display
in °d ¹⁾	in mmol/l ²⁾	Range		
41-50	7.3-9.0	IV	9	H 9
35-40	6.3-7.2		8	H 8
31-34	5.5-6.2		7	H 7
27-30	4.8-5.4		6	H 6
23-26	4.1-4.7		5	H 5
19-22	3.3-4.0	III	4	H 4
15-18	2.6-3.2		3*	H 3
11-14	1.9-2.5	II	2	H 2
4-10	0.7-1.8	I/II	1	H 1
under 4	under 0.7	I	0 no salt necessary	H 0

1) (°d) German degree, measure of water hardness

2) (mmol/l) millimol per litre, international unit for the hardness of water

*Factory setting

1. The dishwasher must be switched off.
2. Press the signal tone and water softener buttons simultaneously and keep them pressed
3. Press the ON/OFF switch. The LED indicators for the signal tone and water softener buttons flash.
4. Press the softener button again.
The multi-display indicates the hardness setting.
5. Pressing the hardness button increases the hardness setting by 1. (Exception: Hardness setting 0 follows hardness setting 9).
6. Once the hardness setting is correctly adjusted, press the ON/OFF switch.
The hardness setting is then saved.

Filling with Special Salt for the Water Softener



Use only special salt intended for dishwashers. Never fill the salt container with different types of salt (e.g. cooking salt) or detergent. This would destroy the water softener.
Prior to filling with salt, please check each time that you really do have a packet of special salt in your hand.

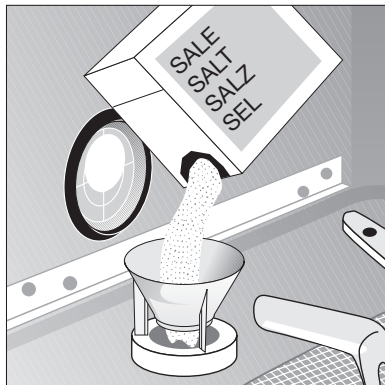
Fill with special salt:

- Before putting the dishwasher into operation for the first time.
- When the indicator lamp for special salt (**ZOUT; SEL**) lights up on the control panel.



If the water hardness in your area is less than 4 °d, you do not need to use special salt.

1. Open the door, remove the lower rack.
2. Undo the lid on the salt container by turning it anticlockwise.
3. **Only when using for the first time:** fill the salt container with water.
4. Place the funnel supplied on the container opening.
Fill the container with special salt through the funnel; the capacity of the container is approx. 1.0-1.5 kg depending on the grain size. Do not overfill the salt container with special salt.





The water expelled by filling the salt container with special salt runs out of the salt container onto the base of the washing compartment. This is not a cause for concern, the water will be pumped out at the start of the next wash programme.

5. Clean any salt remnants on the container opening.

6. Turn the lid clockwise to the stop, otherwise special salt will leak into the wash water, this could lead to poor wash results. To avoid this run a rinse programme after filling the salt container with special salt. This will wash away salt water and any salt crystals that have been spilt.



Depending on the size of the salt grains, it can take several hours for the salt to dissolve in the water and for the SALT indicator (ZOUT; SEL) to extinguish. The setting of the water softener and thus the consumption of salt are dependent on the hardness of the local water.

Filling with Rinse Aid

Rinse aid ensures that your dishes gleam and are free from spots, and that you glasses are clear.



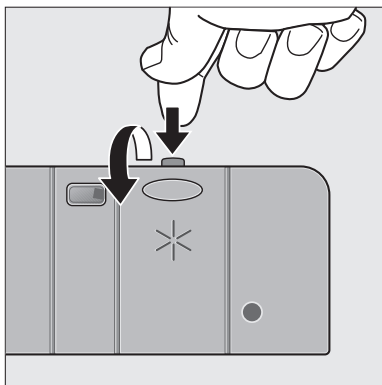
Use only branded rinse aid for dishwashers. Never fill the rinse aid container with any another substance (e.g. concentrated vinegar). This would damage the appliance.

Fill with rinse aid:

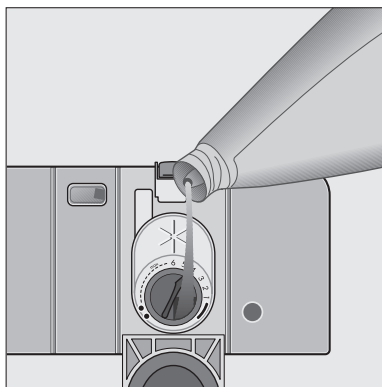
- Prior to using the dishwasher for the first time
- When the RINSE AID indicator (NASPOELEN; RINCAGE FINAL) on the control panel is illuminated.

The rinse aid compartment is on the inside of the dishwasher door.

1. Open the door.
2. Press the rinse aid compartment release button with your finger.
3. Fully open the rinse aid compartment lid.



4. Fill with rinse aid exactly up to the level marked "max"; this corresponds to a quantity of approx. 140 ml.
5. Close the lid and press until it locks into place.
6. Wipe up any spilt rinse aid with a cloth. Otherwise too much foam will be formed during the wash.

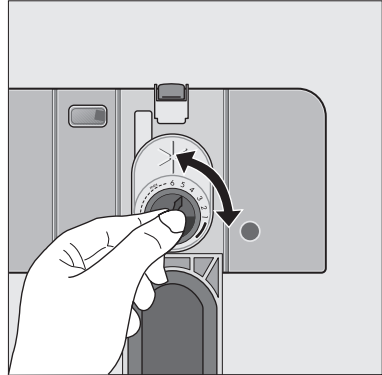


Adjusting Rinse Aid Dosing



As the dishes are washed rinse aid is released from the dispenser into the wash water. The dose is factory set at 4, and can be adjusted from 1 to 6. Only change the setting if streaks, milky spots or dried on water marks are visible on glasses or crockery.

1. Open the door of the dishwasher.
2. Press the rinse aid compartment release button with your finger.
3. Fully open the rinse aid compartment lid.
4. Set the dose level.
5. Close the lid and press until it locks into place.
6. If rinse aid has run out, wipe up with a cloth.



Setting the Signal Tone for the End of the Wash Programme

You can set whether, in addition to the optical indication of the end of the programme, a signal tone is also to be heard.

1. The dishwasher must be switched off.
2. Press the signal tone and water softener buttons simultaneously and keep them pressed.
3. Press the ON/OFF switch. The LED indicators for the signal tone and water softener buttons flash.
4. Press the signal tone button again.
The multi-display indicates the current setting:

b0	Signal tone switched off
b1	Signal tone switched on (factory setting)

5. Pressing the signal tone button changes the setting.
6. Once the multi-display indicates the required setting, press the ON/OFF switch. The setting is then saved.

In Daily Use

- Is it necessary to refill with special salt or rinse aid?
- Load cutlery and dishes into the dishwasher
- Fill with dishwasher detergent
- Select a wash programme suitable for the cutlery and dishes
- Start the wash programme

Loading cutlery and dishes



Sponges, household cloths and any object that can absorb water may not be washed in the dishwasher.

For washing in the dishwasher the following cutlery/dishes	
are not suitable:	are of limited suitability:
<ul style="list-style-type: none"> • Cutlery with wooden, horn, china or mother of pearl handles • Plastic items that are not heat resistant • Older cutlery with cement that is not temperature resistant • Bonded cutlery items or dishes • Pewter or copper items • Lead crystal glass • Steel items subject to rusting • Wooden platters • Items made from synthetic fibres 	<ul style="list-style-type: none"> • Only wash stoneware in the dishwasher if it is specifically marked as being dishwasher-safe by the manufacturer. • Glazed patterns may fade if machine washed frequently. • Silver and aluminium parts have a tendency to discolour during washing. Left-overs, e.g. egg white, egg yolk and mustard often cause discolouring and staining on silver. Therefore always clean left-overs from silver immediately, if it is not to be washed straight after use. • Some types of glass can become dull after a large number of washes.

- Before loading the dishes, you should:
 - Remove large left-overs.
 - Soften remnants of burnt food in pans.
- When loading the dishes and cutlery, please note:
 - Dishes and cutlery must not impede the rotation of the spray arms.
 - Load hollow items such as cups, glasses, pans, etc. with the opening downwards so that water cannot collect in the container or a deep base.
 - Dishes and items of cutlery must not lie inside one another, or cover each other

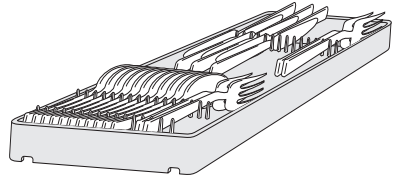
- To avoid damage to glasses, they must not touch
- Do not lay small objects (e.g. lids) in the cutlery rack

Loading Cutlery



Long, pointed items of cutlery are a hazard if placed in the cutlery basket, particularly to children (see Safety Instructions). They should therefore be placed in the upper rack.

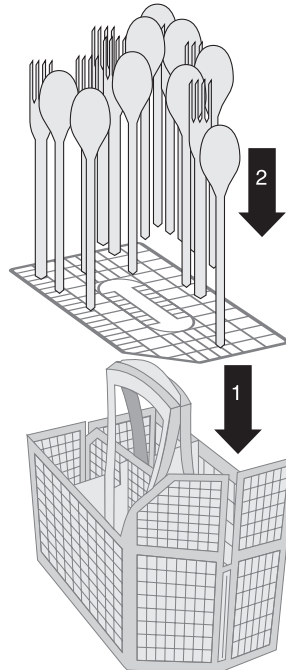
Place knives, small spoons and small forks in the cutlery tray.



Place forks and spoons that do not fit in the cutlery tray in the cutlery basket.

To ensure that all items of cutlery in the cutlery basket are properly washed, you should

1. place the grid insert on the cutlery rack
2. place forks and spoons in the grid insert on the cutlery basket with the handle downwards.




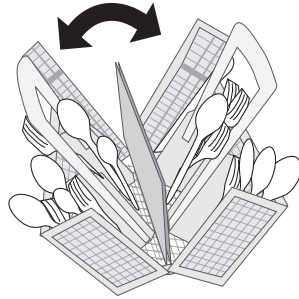
To make the removal of cutlery easier, **on some dishwasher models** it is possible to open the cutlery basket.

If you use the grid insert, it is not possible to open the cutlery basket.



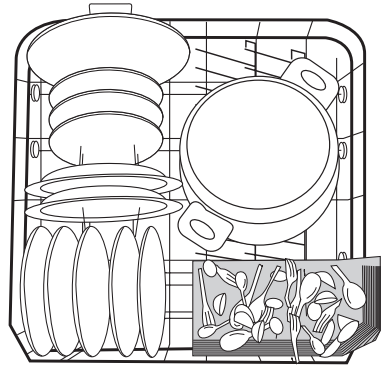
To ensure that the cutlery basket cannot open on removal from the appliance, you should always hold both parts of the two part handle.

-  **1.** Place the cutlery basket on a table or work surface
- 2.** open the two part handle
- 3.** remove cutlery
- 4.** close the two part handle.




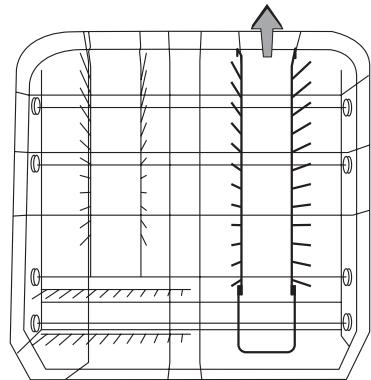
Loading Pans, Frying Pans and Large Plates

Load large and heavily soiled dishes in the lower rack.

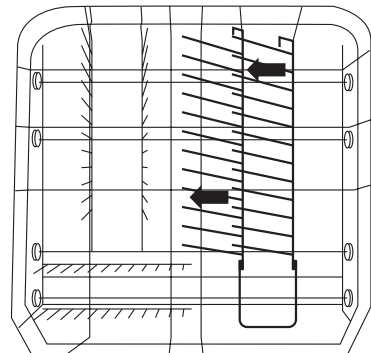


To ease the loading of large items at **some dishwasher-models** the two rows of prongs for the right-hand plate insert can be folded down:

 **1.** Slightly lift the right plate insert.

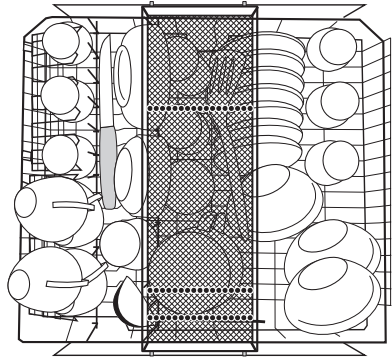


2. Fold the plate insert to the left.

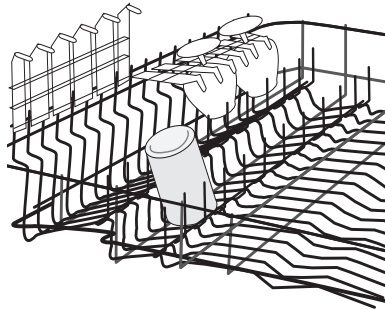


Loading Cups, Glasses and Coffee Services

Load small, delicate items and long pointed cutlery in the upper rack.



- Arrange items of crockery on the folding cups racks so that they are offset from each other and water can reach all items.
- The cup racks can be folded up out of the way for tall items.
- Lay or hang wine, champagne, and brandy glasses in the cut outs on the cup racks.
- Glasses, beakers, etc. can also be placed on the two rows of prongs on the left of the upper rack.



Adjusting the Height of the Upper Basket

	Maximum Height of the Dishes in the	
	Upper Basket	Lower Basket
With upper basket raised	22 cm	31 cm
With upper basket lowered	24 cm	29 cm



The height of the basket can also be adjusted when it is loaded.

Depending on the model, your appliance is provided with one of the following types of upper basket:

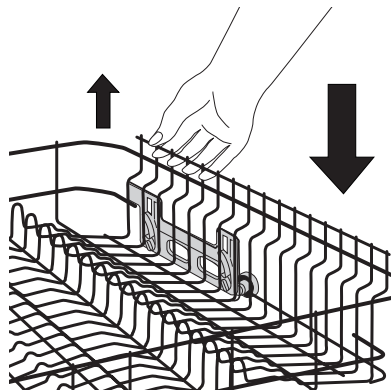
Lowering the Upper Basket:

1. Pull the upper basket out completely.
2. Lift the upper basket at the rear right and lower.

Raising the Upper Basket:

1. Pull the upper basket out completely.
2. Raise the upper basket at the rear right, pull slightly forward and allow to lock into place in the upper position.

Type 1



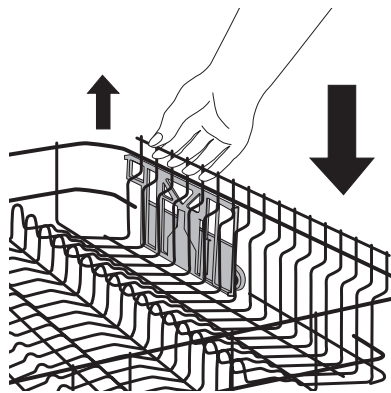
Lowering the Upper Basket:

1. Pull the upper basket out completely.
2. Holding the upper basket at the rear right, lift it as far as it will go and then lower it vertically. The upper basket will engage in the lower position.


Raising the Upper Basket:

1. Pull the upper basket out completely.
2. Holding the upper basket at the rear right, lift it as far as it will go and then lower it vertically. The upper basket will engage in the higher position.

Type 2




Filling with Detergent


 Only use dishwasher detergent.

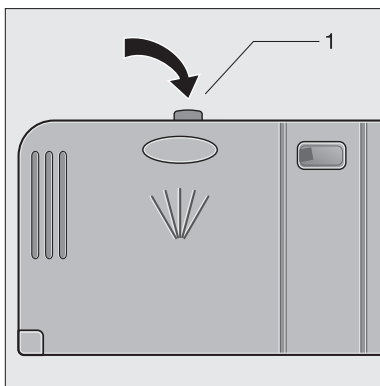
Fill with detergent:

– Prior to the start of a wash programme (not for the pre wash programme). The detergent is released into the wash water during the programme.


 Please observe the manufacturer's dosing and storage recommendations as stated on the detergent packaging.

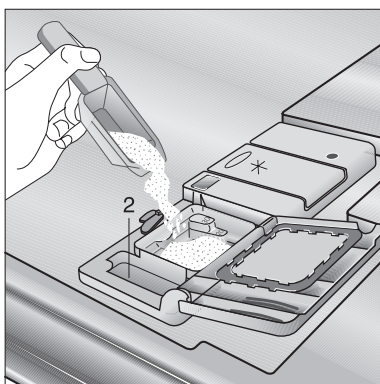
The detergent compartment is on the inside of the dishwasher door.

-  **1.** If the lid is closed: press release button (1). The lid springs open.



- 2.** Fill the detergent dispenser with detergent. The markings indicate the dosing levels:
"20" corresponds to approx. 20 ml of detergent,
"30" corresponds to approx. 30 ml of detergent.
- 3.** Close the lid and press until it locks into place.

 If the dishes are very heavily soiled put additional detergent into the adjacent chamber (2). This detergent will take effect during the pre wash.



Bio Wash Programmes and Concentrated Detergents

Based on their chemical composition, dishwasher detergents can be split into two basic types:

- Conventional, alkaline detergents with caustic components
- Weak alkaline concentrated detergents with natural enzymes.



The use of BIO wash programmes in conjunction with concentrated detergents reduces pollution and is good for your dishes; the BIO wash programmes are specially matched to the soil dissolving properties of the enzymes in the concentrated detergent. It is for this reason that BIO wash programmes can achieve the same results at 50 °C that can otherwise only be achieved using 65 °C programmes.

During BIO programmes the water is briefly heated to more than 50 °C so that the active oxygen becomes effective.



Detergent tablets from different manufacturers dissolve at different rates. For this reason some detergent tablets cannot develop their full cleaning power during short programmes. Therefore please use normal programmes with pre wash when using detergent tablets.

Automatic Wash Programmes

During AUTOMATIC programmes, the amount of soiling on the dishes is determined by the degree of water clouding.

If the load is small and the dishes lightly soiled the "pre wash", "main wash" and "rinsing" elements of the programme are shorter and there is lower water consumption.

When the machine is fully loaded and the dishes very soiled the „pre wash", "main wash" and "rinsing" elements of the programme take longer and the water consumption is higher.

For this reason the programme duration, water and energy consumption levels for AUTOMATIC programmes can vary within the given ranges (see programme table).

In this way, the dishes are always washed to an optimum, while water and electricity consumption are kept low.

Selecting the Wash Programme (Programme Table)

Choose the most suitable wash programme with the aid of this table:

Type of Dishes	Dinner Service and Cooking Utensils			
In Addition	-	with non-temperature resistant dishes	-	-
Type of Soiling	<ul style="list-style-type: none"> heavily to lightly soiled dried leftovers 	<ul style="list-style-type: none"> normally to lightly soiled <p>particularly suited to the use of concentrated detergents.</p>	<ul style="list-style-type: none"> heavily soiled dried on leftovers, particularly egg white and thickeners 	<ul style="list-style-type: none"> normally soiled dried leftovers
Suitable Wash Programme:	↓	↓	↓	↓
	AUTO 65 °C	AUTO BIO 50 °C ¹⁾	INTENSIEF; INTENSIF 70 °C	NORMAAL; NORMAL 65 °C
Programme Sequence²⁾	Pre Wash Main Wash Rinsing Final Rinse Drying	Pre Wash Main Wash Rinsing Final Rinse Drying	Pre Wash Main Wash 2x Rinsing Final Rinse Drying	Pre Wash Main Wash Rinsing Final Rinse Drying
Consumption Figures:³⁾	↓	↓	↓	↓
Duration	95 - 115 minutes	95 - 115 minutes	105 - 115 minutes	89 - 99 minutes
Electricity	1,15 - 1.45 kWh	1,1 - 1.35 kWh	1.6 - 1.8 kWh	1.05 - 1.25 kWh
Water	11,5 - 19 litres	11,5 - 19 litres	17 - 19 litres	13 - 15 litres

¹⁾ During BIO programmes the water is briefly heated to more than 50 °C so that the active oxygen becomes effective.

²⁾ The various stages in the wash programme have different sounds; this is because the dishes are washed more intensely for short periods during certain stages of the wash programme to improve cleaning.


³⁾ The consumption figures were measured under standard conditions. They are dependent on the loading of the racks. Variations from these figures are therefore possible in practice.


Type of Dishes	Dinner Service and Cooking Utensils		Dessert Dishes and Coffee Service	All Types of Dishes
In Addition	with non-temperature resistant dishes		with delicate glasses	-
Type of Soiling	• normally soiled		• lightly soiled	Used dishes that are collected in the dishwasher and are to be washed at a later point in time.
	particularly suited to the use of concentrated detergents.			
Suitable Wash Programme:	↓	↓	↓	↓
	NORMAAL BIO; NORMAL 50 °C ¹⁾	E-STAND; ECO 50 °C ^{4) 5)}	QUICK; RAPIDE 40 °C	VOORSPOELEN; PRELAVAGE
Programme Sequence ²⁾	Pre Wash Main Wash Rinsing Final Rinse Drying	Pre Wash Main Wash Rinsing Final Rinse Drying	- Main Wash Rinsing Final Rinse -	Pre Wash - - - -
Consumption Figures: ³⁾	↓	↓	↓	↓
Duration	84 - 94 minutes	130 - 150 minutes	35 minutes	12 minutes
Electricity	1.05 - 1.15 kWh	0.95 - 1.05 kWh	0.7 kWh	< 0.1 kWh
Water	13 - 15 litres	12 - 14 litres	11 litres	4 litres

⁴⁾ The „E-STAND; ECO“ wash programme washes normally soiled dishes with a very low electricity consumption. If the dishes need to be washed more quickly, as an alternative you can use the „NORMAAL BIO; NORMAL 50 °“ wash programme.


⁵⁾ Testprogramme for Test Institutes

Starting the Wash Programme


-  1. Check that the dishes and cutlery are loaded into the dishwasher in such a manner that the spray arms are free to rotate.
2. Open the tap fully.
3. Shut the door.
4. Press the ON/OFF switch (AAN/UIT; MARCHE/ARRET) The ON/OFF switch indicator (AAN/UIT; MARCHE/ARRET) illuminates.
5. Press the button for the programme required (see "Programme Table"). The programme indicator and the associated wash programme steps in the programme progress display illuminate. After around 6 seconds, the wash programme selected starts. The remaining time for the programme calculated from quantity of dishes loaded is displayed in the multi-display. With automatic programme adjustment this residual time count can be stopped or corrected if necessary (load quantity, degree of dirtiness, etc.) using the dishwasher control. The current programme step is also displayed in the programme progress display.

 If fault messages are displayed on the multi-display after the start of the programme, please read the "What to do, if..." section.


Changing/Interrupting/Cancelling the Wash Programme

 Only change or interrupt a wash programme in progress if it is absolutely necessary. When the appliance is closed again, the air that has entered is heated rapidly and expands. This can cause water to escape onto the floor and possibly trigger the anti-flood system.

Changing the wash programme

 If you want to change the wash programme within the first 6 seconds after the selection of the programme, briefly press the button for the required programme.

If you want to change the wash programme at a later point in time, use the following procedure:

-  1. Press the button for the new wash programme and keep it pressed. The indicators for both wash programmes now flash.
2. After a few seconds, only the display for the new wash programme flashes. Release the programme button, from now on the new wash programme is carried out.

Interrupting the wash programme by opening the door of the dishwasher



Hot steam can escape when the door is opened. There is a risk of scolding! Open the door carefully.



1. Open the door of the dishwasher. The wash programme stops.
2. Shut the door. The wash programme continues.

labelling the wash programme



1. Press the button for the wash programme in progress and keep it pressed. The programme indicator for the wash programme in progress flashes for a few seconds and then goes out.
2. Release the programme button, the wash programme is stopped.

Pause Function

The wash programme can be interrupted for a short period by using the Pause function:



1. Press the ON/OFF switch (AAN/UIT; MARCHE/ARRET). The wash programme stops.
2. All indicators go out.
3. If after a short period the wash programme is to be continued, press the ON/OFF switch (AAN/UIT; MARCHE/ARRET) again. The wash programme continues.



The wash programme should not be interrupted for an extended period of time, as otherwise the wash water will cool down and need to be reheated thus increasing the electricity consumption.

Setting or Changing the Start Delay Timer

Using the start delay timer you can adjust when the wash programme is to begin within the next 19 hours.

Setting the start delay timer:

1. Press the ON/OFF button (AAN/UIT; MARCHE/ARRET).
2. Keep pressing the DELAY TIMER button (STARTTUIDKREUZE; DEPART DIFFERE) until the number of hours of delay until the wash programme is to start are flashing on the multi-display.
3. Press the button for the desired wash programme. The multi-display now displays the number of hours without flashing. The number of hours is saved.
4. The wash programme starts automatically at the end of the delay set.

Changing the start delay:

As long as the wash programme has not started, you can still change the start delay set by pressing the DELAY TIMER button (STARTTUIDKREUZE; DEPART DIFFERE).


Load Sensing – Sensor Logic

If a wash programme is started even though there are only a few dishes in the upper and/or lower rack, an intelligent electronic system adjusts the amount of water and the duration of the wash programme to the number of dishes. By this means it is possible to wash only a few dishes quickly and economically. At half load (6 place settings), up to 2 litres of water and 0.2 kWh of electricity are saved.

Switching Off the Dishwasher

Only switch the dishwasher off when the multi-display indicates "0" for the remaining programme time and **END (EINDE; FIN)** is illuminated on the programme progress display.

If the signal tone for the end of the washing programme is enabled, a continuous tone indicates the end of the programme for 10 seconds. If the dishwasher is not switched off, the continuous tone is repeated twice after a few minutes.

-  **1.** Press the ON/OFF switch (AAN/UIT; MARCHE/ARRET). All indicators go out.



Hot steam may escape if the door is opened immediately after the end of the programme. Therefore:

- 2.** Open the door carefully.

Emptying the Dishwasher



- Hot dishes are sensitive to knocks. The dishes should therefore be allowed to cool down before removing them from the appliance.
- Leave the dishes in the dishwasher for approx. 15 minutes after the end of the programme so that they dry better and can cool down.
- Empty the lower rack first, then the upper rack. In this way you will avoid any water left on the upper rack dripping onto the dishes in the lower rack and causing water spots.

Care and Cleaning



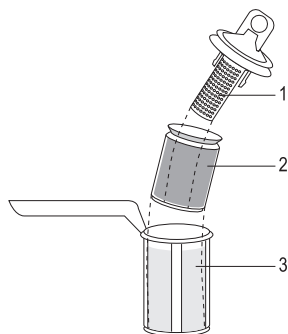
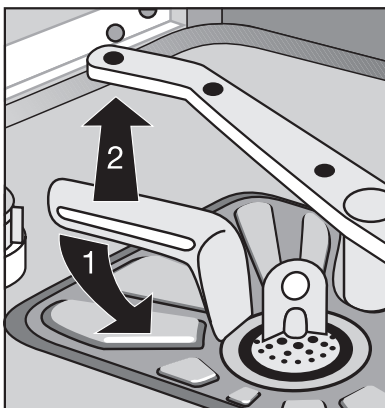
Do not under any circumstances use furniture care products or aggressive cleaners.

- If necessary, clean the controls only with a soft cloth and pure warm water.
- The spray arms do not need cleaning.
- Occasionally check the internal containers, door seal, and water inlet for soiling, clean if necessary.

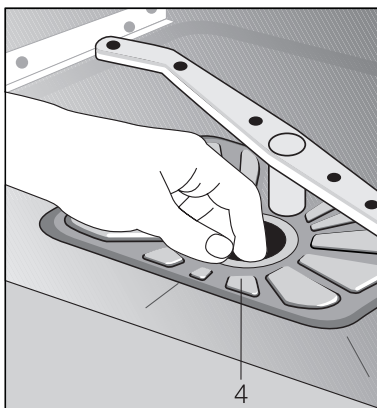
Cleaning the Filter

- i** The filters in the base of the washing compartment are to a large extent self-cleaning. Nevertheless the filters should be checked and cleaned from time to time. Dirty filters will degrade the washing result.

- 1.** Open the door, remove the lower rack.
- 2.** The dishwasher filter system comprises a coarse/fine filter, microfilter and a flat filter. Unlock the filter system using the handle on the microfilter, and remove.
- 3.** Turn the handle about ¼ a turn anti-clockwise and remove.
- 4.** Take hold of the coarse/fine filter (1/2) by the handle with the hole and remove from the microfilter (3)
- 5.** Clean all filters thoroughly under running water.
- 6.** Remove the flat filter (4) from the base of the washing compartment and clean both faces thoroughly



- 7.** Put the flat filter back in the base of the washing compartment
- 8.** Place the coarse/fine filter in the microfilter and press together.
- 9.** Put the filter combination in place and lock by turning the handle clockwise to the stop. During this process ensure that the flat filter does not protrude above the base of the washing compartment.



- !** Under no circumstances may the dishwasher be used without filters.

What to do, when ...

Try to rectify minor faults on the dishwasher with the aid of the instructions given here. If you call in customer service to resolve one of the malfunctions listed here, or rectify an error made in the operation of the appliance, the customer service engineer's visit is not free of charge, even during the period of guarantee.

... Error messages are displayed.

- If the multi-display shows the fault code **E2** or if the display **WATER (WATER; EAU), DOOR (DEUR; PORTE)** or **SPRAY ARM (SPROIE-ARM; BRAS)** lights up, you may be able to remedy the fault yourself. After remedying the fault **E2** and the fault with the display **WATER (WATER; EAU)**, press the button of the started washing programme. The wash programme continues. If the fault code is displayed again, contact customer service.
- For all other faults that are indicated, please contact customer service stating the fault code.

Malfunction	Possible Cause	Remedy
The programme display of the selected programme flashes, the display WATER (WATER; EAU) lights up and a constantly repeated warning tone can be heard. No water runs into the dishwasher.	Tap is blocked or furred with lime-scale.	Clean tap.
	The filter (where present) in the threaded hose fitting at the water inlet valve is blocked.	Clean the filter in the threaded hose fitting.
	The water inlet hose is not correctly laid.	Check hose installation.
The programme display of the selected programme flashes, the multidisplay shows the fault code and constantly repeated warning tones can be heard.	The siphon is blocked.	Clean the siphon.
	The water drain hose is not correctly laid.	Check hose installation.
The multidisplay shows the fault code and constantly repeated warning tones can be heard.	The anti-flood system has been triggered.	Close the tap and contact customer service.

Malfunction	Possible Cause	Remedy
<p>During a washing programme, the display SPRAY ARM (SPROIEARM; BRAS) lights up and a longer warning tone can be heard at the same time.</p>	<p>The middle spray arm is jammed.</p>	<p>Open the door carefully. Hot steam can escape when the door is opened. There is a risk of scalding! Arrange the dishes and cutlery in the bottom basket so that the middle spray arm can rotate freely. Close the dishwasher door.</p>
<p>The display DOOR (DEUR; PORTE) lights up.</p>	<p>The door of the dishwasher is open.</p>	<p>Close the dishwasher door.</p>
<p>The FILTER (ZEFF; FILTRE) display lights up.</p>	<p>The FILTER display is only intended to remind you to check the filters in the dishwasher from time to time and to clean them when necessary. It lights up at regular intervals, irrespective of the cleanliness of the filters.</p>	<p>The indicator goes out automatically on the start of the next wash programme.</p>

...there are problems with the operation of the dishwasher.

Malfunction	Possible Cause	Remedy
The programme does not start.	The door of the dishwasher is not closed properly.	Shut the door.
	Mains plug is not plugged in.	Insert mains plug.
	House fuse is defective.	Replace fuse.
	In the case of dishwasher models with start delay timer: A start delay is selected.	Where dishes are to be washed immediately, for appliances - with multidisplay, set the delay start to 0. - without multidisplay, cancel the delay start timer.
Rust spots are visible in the washing compartment.	The washing compartment is made of corrosion-resistant stainless steel. Rust spots in the washing compartment are from particles from outside the appliance (rust particles from the water pipe, from pans, cutlery, etc.). Remove such spots with a commercially available stainless steel cleaner.	Only wash cutlery and dishes that are suitable for dishwasher use. Close the lid of the special salt container securely.
There is a whistling noise during washing.	The whistling is not a cause for concern.	Use a different brand of detergent.
Dishwasher interior lighting does not work.	Mains plug is not plugged in.	Insert mains plug.
	Light bulb for the interior lighting is defective.	Contact customer service.

...the wash result is not satisfactory.

The dishes are still dirty.

- The wrong wash programme was selected.
- The dishes were arranged in such a manner that water has not reached all parts. The dish racks must not be overloaded.

- The filter in the base of the washing compartment is dirty or incorrectly positioned.
- Detergent was not used or too little was used.
- In the case of scale deposits on the dishes: the special salt container is empty or the water softener is incorrectly adjusted.
- The drain hose is incorrectly laid.

The dishes are wet and dull.

- Rinse aid was not used.
- The rinse aid container is empty.

There are streaks, milky spots or a bluish coating on glasses and dishes.


- Decrease rinse aid dosing.

There are dried water drops on the glasses and dishes.

- Increase rinse aid dosing.
- The detergent may be the cause. Contact the detergent manufacturer's consumer advisor.

Technical Data

Capacity:	12 place settings including serving dishes
Permitted Water Pressure:	1-10 bar (=10-100 N/cm ² = 0.1-1.0 MPa)
Electrical Connection:	Information on the electrical connection is given on the rating plate on the inner edge of the dishwasher door on the right.
Dishwasher: Free-Standing Appliances	
Dimensions:	850 x 600 x 600 (H x W x D in mm)
Max. Weight:	54 Kg
Dishwashers that Can Be Integrated, Built-In Dishwashers	
Dimensions:	820 – 880 x 596 x 570 (H x W x D in mm)
Max. Weight:	50 Kg
Dishwashers that Can Be Fully Integrated	
Dimensions:	820 – 880 x 596 x 546 – 550 (H x W x D in mm)
Max. Weight:	50 Kg

-  This appliance conforms with the following EU Directives:
 - 73/23/EEG dated 19. 02. 1973 – Low Voltage Directive
 - 89/336/EEG dated 03. 05. 1989
(including Directive Amendment 92/31/EEG) – EMC Directive

Notes for Test Institutes

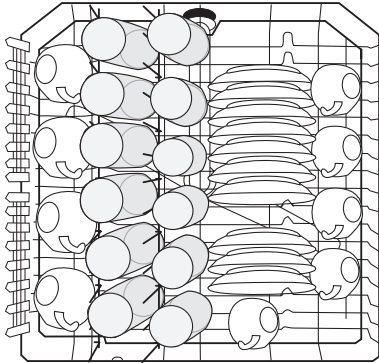
Testing in accordance with EN 60704 must be carried out with the appliance fully loaded and using the test programme (see Programme Table).

Tests in accordance with EN 50242 must be carried out when the salt dispenser and rinse aid container have been filled with salt and rinse aid respectively and using the test programme (see Programme Table).

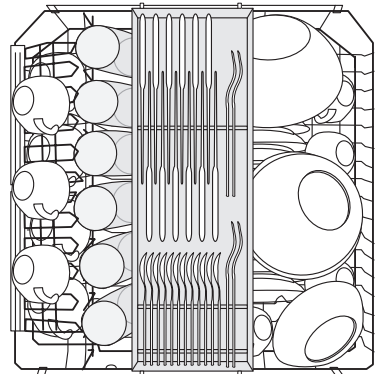
	Full Load: 12 place settings incl. serving dishes	Half Load: 6 place settings incl. serving dishes, leaving alternate positions free
Detergent Dosing:	5g + 25g (Type B)	20g (Type B)
Rinse Aid Setting:	4 (Type III)	4 (Type III)

Sample loading arrangements:

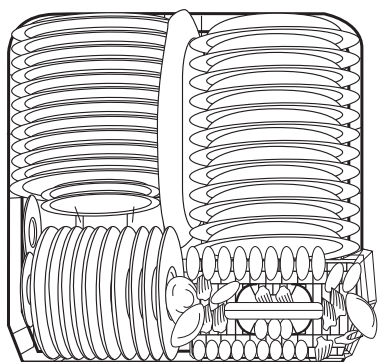
Upper basket without cutlery tray



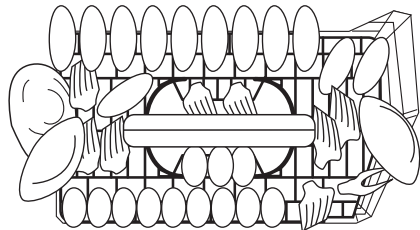
Upper basket with cutlery tray



Lower basket with cutlery basket



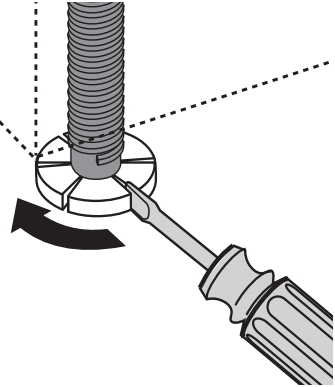
Cutlery basket



INSTALLATION AND CONNECTION INSTRUCTIONS

Installing the Dishwasher

- The dishwasher must be installed on a firm floor and adjusted to ensure that it is stable and level.
- To compensate for unevenness in the floor and to match the height of the appliance to that of surrounding units extend the threaded feet by unscrewing:
 - use a screwdriver.



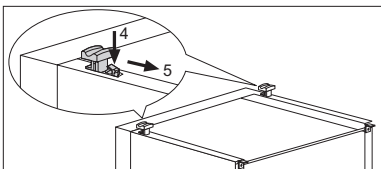
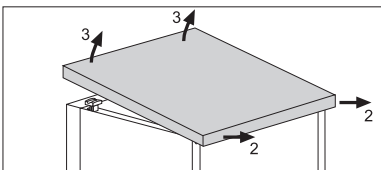
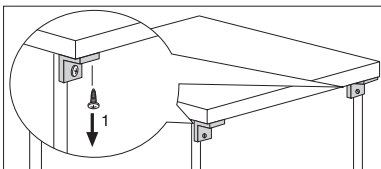
- The drain hose, inlet hose and mains cable must not be kinked or crushed when the dishwasher is in position.

Free-Standing Appliances



- can be set up as stand-alone without additional installation. If the dishwasher is set up next to a gas or coal cooker, a heat-insulating, non-flammable plate must be mounted between the dishwasher and the cooker, flush to the top edge of the work surface (depth 57.5 cm). The plate should have aluminium foil on the side facing the cooker.

- If the dishwasher is installed underneath a kitchen work surface, the original work surface of the dishwasher is to be removed as follows:
 - Unscrew the screws (1) from the elbows on the back side.
 - Slide the work surface approx. 1cm to the rear (3), lift at the front (4) and remove.
 - Press the work surface retaining brackets at the position shown in the diagram (4) and remove the bracket at an angle to the rear (5).



- The dishwasher must also be screwed on tightly to the work surface or to the adjoining units. This is essential to ensure the dishwasher does not tip.



If the dishwasher is later used as a free-standing appliance, the original work surface must be re-mounted.



The plinth on free-standing appliances is not adjustable.

Connecting the Dishwasher

Water Connection

The dishwasher is fitted with safety devices that prevent the wash water returning into the drinking water system and comply with the applicable plumbing regulations.

- The dishwasher can be connected to cold and hot water supplies up to max. 60 °C.
- The dishwasher **must not** be connected to open hot water appliances or instantaneous water heaters.

Permitted water pressure

Lowest permitted water pressure: 1 bar (=10 N/cm ² =100 kPa)	Consult your installer if the water pressure is less than 1 bar.
Highest permitted water pressure: 10 bar (=100 N/cm ² =1 MPa)	In the case of a water pressure greater than 10 bar, a pressure reduction valve must be used (available from your dealer).

Connect the inlet hose



The water inlet hose must not be kinked, crushed or entangled when it is being connected up.



Connect the threaded hose fitting (ISO 228-1:2000) on the water inlet hose to a tap with an external thread (3/4 inch). Tighten the threaded hose fitting **hand tight only**.



- In order that access to the tap in the kitchen is not limited by the use of the dishwasher, we recommend the installation of an additional tap, or fitting a two way adapter to the existing tap.
- If you need a longer water inlet hose than that supplied, VDE approved complete hose sets are to be used. These are available from your local Service Force Centre.

Water drain

Drain hose

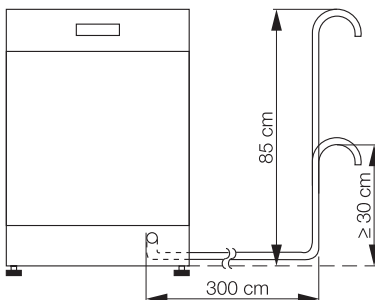


The drain hose must not be kinked, crushed or entangled.

- Connecting the drain hose:
 - Maximum permitted height: 1 metre.
 - Minimum required height 30 cm above the lower edge of the machine.

Extension hoses

- Extension hoses are available from your dealer or customer service. The internal diameter of the extension hoses must be 19 mm to ensure that the function of the appliance is not impeded.
- Extension hoses may be laid a maximum of 3 metres horizontally; the maximum permitted height for the connection for the drain hose is then 85 cm.



Sink outlet connection

- The outlet of the drain hose (\varnothing 19 mm) fits all commonly available sink outlet spigot types. The outer diameter of the spigot connection must be at least 15 mm.
- The drain hose must be fixed to the sink outlet connection using the hose clamp supplied.

Water drain into wash basins (only possible with free-standing appliances)

In the case that you wish to hang the drain hose in a wash basin, use a detachable hose elbow. You can obtain this from AEG customer service under spare part number ET 646 069 190.



1. Fit the elbow to the drain hose.
2. Secure the drain hose against sliding off the edge of the wash basin. Pass a piece of cord through the hose elbow and fix it to the wall or the tap.

Leak Prevention System

For protection from damage due to water leaks, the dishwasher is equipped with a leak prevention system, the AQUA CONTROL SYSTEM. In the event of a fault, the safety valve immediately interrupts the supply of water to the appliance and the drain pump switches on. It is thus not possible for water to either leak or overflow. Any water left in the appliance is automatically pumped out.



The AQUA CONTROL SYSTEM also works when the appliance is switched off – the appliance must however **not** be disconnected from the mains. When the appliance is switched on, a buzzing tone can also be heard.

Electrical connection



In compliance with electric company technical requirements for mains connections, hard-wired connections to the mains may only be made by approved electricians.

When connecting the appliance, observe the German VDE regulations and, if applicable, any additional conditions required by your local electricity supplier. Following installation, live parts and live insulated wiring must not be accessible using a finger test in accordance with EN 60335/DIN VDE 0700.

Information on the electrical connection can be found on the rating plate on the right side of the inner edge of the dishwasher door. If the appliance has a change-over switch, the additional instructions on the change-over diagram in the mains connector box must be observed.

Prior to connecting ensure that the mains voltage and current rating at the site of installation match the nominal voltage and current rating given on the rating plate. The required fuse protection is also to be found on the rating plate.

To isolate the dishwasher from the mains, remove the mains plug.

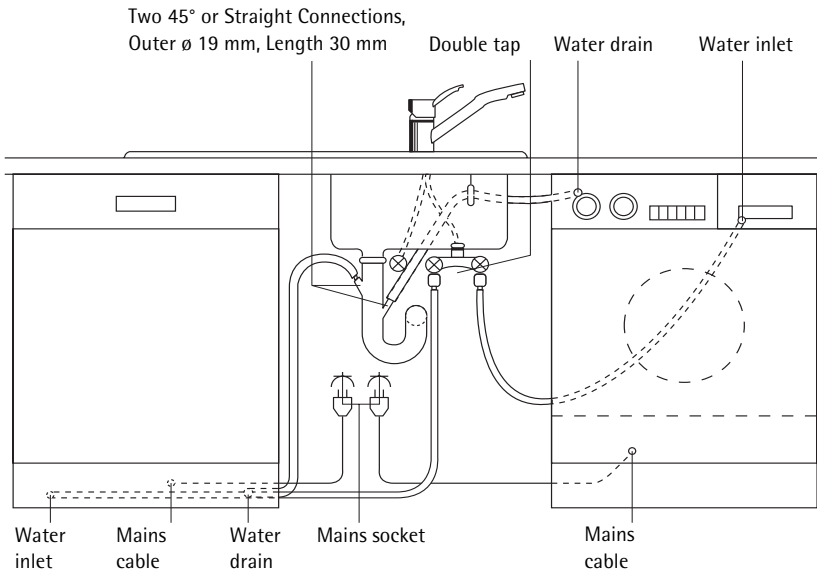
Important: The plug must still be accessible after the appliance has been installed.

If the appliance is hard-wired to the mains supply, then it must be safely isolated from the mains within the electrical installation with switches intended to ensure **all-pole(N,L1)** disconnection, shall be directly connected to the supply terminals and shall have a contact separation (fuses, cut outs, current trips or similar) of at least 3mm in each pole.

Connections

The water inlet and drain hoses, as well as the mains cable must be connected beside the dishwasher as there is insufficient space behind the appliance.

The plumbing and electrical installation example given below can only be regarded as a recommendation; the actual situation where the dishwasher is to be installed will define the exact installation (available connections, local electricity and water board regulations for connecting up appliances, etc.).



ADRESSEN KLANTENDIENST

	Telefon	Telefax
Electrolux Home Products Belgium ELECTROLUX SERVICE Bergensesteenweg, 719 1502 Lembeek	Consumer services 02/363.04.44	02/363.04.00 02/363.04.60
Province de Liège: S.D.E. Rue Gaucet, 26 4020 Liège	04/343.11.60	04/343.47.68

GARANTIEBEPALINGEN

WAARBORGVOORWAARDEN

1. WERKING: De waarborg treedt slechts in werking indien de aankoopfactuur kan voorgelegd worden.

2. TOEPASSING

Deze waarborg gaat in op het ogenblik van de levering aan de gebruiker.

3. DUUR VAN DE WAARBORG

a) EEN JAAR op de onderdelen van het toestel, behalve

1) waterverwarmers

– Kuip: akkumulatieverwarmers van 50 tot 500 l: 5 jaar; gemengde waterverwarmers: 3 jaar; waterverwarmers 5 tot 10 l, doorstroomverwarmers, doorstroomverwarmers met reservoir, met versnelde opwarming, 600, 1000 l en warmtepompen: 1 jaar.

– Elektrische componenten: 3 jaar.

2) Veiligheidsgroep: 3 jaar

b) EEN JAAR op het arbeidsloon;

c) EEN JAAR op de verplaatsing van de technicus; behalve voor: kleine toestellen en aanvullende verwarming; deze moeten bij de leverancier binnengebracht worden ten laste van de koper.

4. GELDIGHEID VAN DE WAARBORG

a) De waarborg is slechts geldig voor de eerste gebruiker, en in zoverre deze het toestel als goede huisvader en in normale omstandigheden gebruikt;

b) De waarborg dekt de herstelling en/of de vervanging van de stukken en onderdelen die door onze technische diensten als defect beschouwd worden en it met uitsluiting van elke schadevergoeding;

c) He nakomen door de leverancier van de verplichtingen die voortvloeien uit de waarborg kan geen aanleiding geven tot verlenging of hernieuwing van de oorspronkelijke waarborgtermijn.

5. UITGESLOTEN SCHADEGEVALLEN

Vermits het toestel bij de levering in goede werkingstaat werd bevonden, DEKT DE WAARBORG NIET: de niet bij de levering vastgestelde krassen, afdrukken of vlekken op de bekleding van het toestel / de verlichtings- en controlelampen / de motorborstels / de breekbare toebehoren, met uitzondering van de materiaalfouten die als dusdanig door onze technische diensten erkend worden. Daarenboven zijn wij niet verantwoordelijk voor alle schade, van welke aard ook, voortvloeiend uit een defect in de werking van onze toestellen.

6. DE WAARBORG IS NIET VAN TOEPASSING

op tussenkomsten ingevolge: een verkeerde insallatie of aansluiting die niet door onze technische diensten werd uitgevoerd / een defect aan de elektrische installatie van de woning of van het gebouw / een elektrische spanning of een hydraulische druk die overmatig afwijkt van de nominale waarden die voor de voeding van het toestel zijn voorzien / een verkeerde behandeling of gebruik door de bezitter van het toestel / een onvoldoende of verkeerd onderhoud / een val van het toestel of van een onderdeel / een transport zonder de nodige voorzorgen om het toestel en zijn onderdelen tegen beschadiging te vrijwaren.

7. DE WAARBORG WORDT VERVALLEN VERKLAARD voor de toestellen en onderdelen

die hersteld of veranderd werden door personen die niet door de firma gemachtigd werden / waarvan de fabrieknummers werden verwijderd od vervalst.

8. VOOR HERSTELLINGEN zich wenden tot uw AEG verkoper of tot de door AEG Aanvaarde Herstelbedrijven.

9. Electrolux Home Products Belgium

CONSUMER SERVICES AEG

Bergensesteenweg, 719-1502 Lembeek. Tél. 02/363.04.44

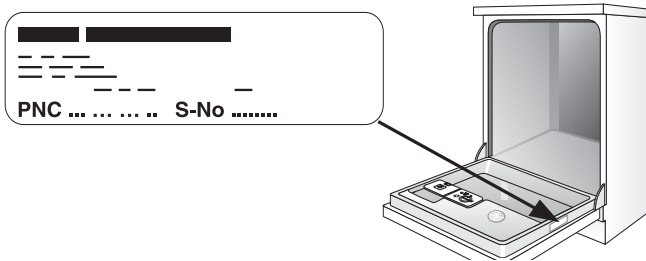
SERVICE

In the section "What to do, if..." the most important sources of faults that you can rectify yourself are summarised.

If, nevertheless, you call in customer service to resolve a problem listed in these instructions, or because of an error made in operating the appliance, the customer service engineer's visit is not free of charge, even during the warranty period.

If you can not find any information on a specific malfunction in these operating instructions, please contact customer service.

Please provide customer service the PNC number and the S No. (serial number), you can find these on the rating plate. The plate is on the inner edge of the door on the right.



So that you always have these numbers at hand, we recommend you to make a note of them here:

PNC :

S-No. :

AEG Hausgeräte GmbH
Postfach 1036
D-90327 Nürnberg

<http://www.aeg.hausgeraete.de>

© Copyright by AEG

822 945 271 - 00 - 1101

Subject to change without notice